

# The 80UC Depository Head

the Industry Standard for more than 25 years



**New design** has additional alarm and security features to help protect against physical attacks

**New** – Physical security shield

**New** – Imbedded alarm system

- UL Listed
- Designed for both Drive-Up & Walk-Up Depositories
- High Security “Anti-Fish” Features
- Maintenance-free Stainless Steel exterior
- Supplies storage and light are standard equipment
- Weather-Seal kit included



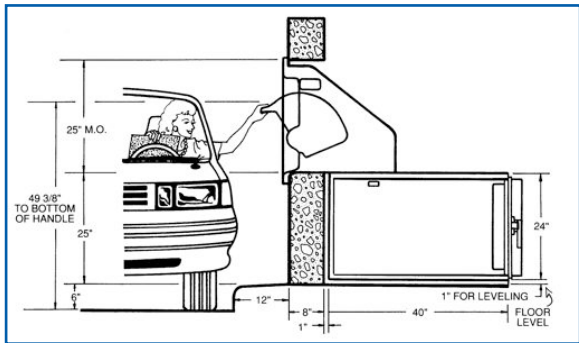
**HAMILTON SAFE®**

# 80UC Depository Options

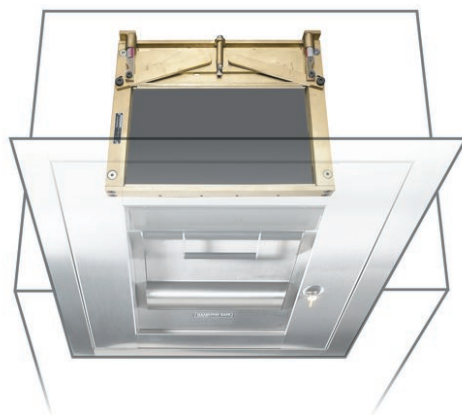
The 80UC head can be combined with multiple chest and chute options to form an integrated depository system

To build your Hamilton 80UC Depository System, chose from options that include:

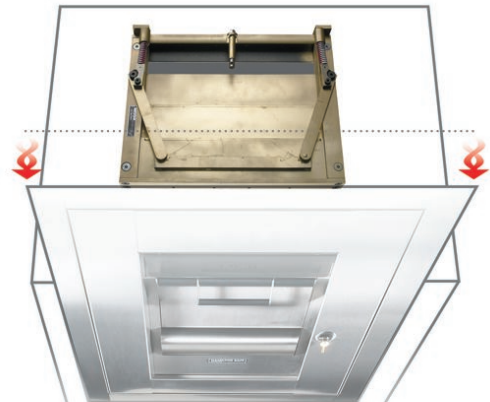
- Chutes to accommodate virtually any wall thickness
- Composite or Steel Plate UL-Listed chests
- A chute closure device
- Camera Port Kit to record the identity of people making deposits
- Conveyor system within chest
- Secured housings and cladding
- Heat sensors, door contacts and seismic detection for chests



Optional UL-listed closure device adds security to new and retrofit night depositories



*Night depository path is clear and open as long as depository face is in place.*



*If depository head is removed, closure device snaps shut instantly to deny access to chest and its contents.*

## HAMILTON

Manufacturers and providers of the latest in drive-up systems, modular vaults, vault doors, night depositories, physical security containers, alarm systems, safe deposit boxes and video surveillance equipment.

3143 Production Drive • Fairfield, OH 45014  
Telephone: 513-874-3733 • FAX: 513-874-3967  
Visit our website at: [www.hamiltonsafe.com](http://www.hamiltonsafe.com)

