



Pharmacy Solutions

Schedule I, II, III, IV, & V Protection



HAMILTON
BY **GUNNEBO**[®]

Drug Schedules

Drugs, substances, and certain chemicals used to make drugs are classified into five (5) distinct categories or schedules depending upon the drug's acceptable medical use and the drug's abuse or dependency potential. The abuse rate is a determinate factor in the scheduling of the drug; for example, Schedule I drugs have a high potential for abuse and the potential to create severe psychological and/or physical dependence. As the drug schedule changes-- Schedule II, Schedule III, etc., so does the abuse potential-- Schedule V drugs represents the least potential for abuse. A Listing of drugs and their schedule are located at Controlled Substance Act (CSA) Scheduling or CSA Scheduling by Alphabetical Order. These lists describes the basic or parent chemical and do not necessarily describe the salts, isomers and salts of isomers, esters, ethers and derivatives which may also be classified as controlled substances. These lists are intended as general references and are not comprehensive listings of all controlled substances.

Schedule I

Schedule I drugs, substances, or chemicals are defined as drugs with no currently accepted medical use and a high potential for abuse. Some examples of Schedule I drugs are: heroin, lysergic acid diethylamide (LSD), marijuana (cannabis), 3,4-methylenedioxymethamphetamine (ecstasy), methaqualone, and peyote.

Schedule II

Schedule II drugs, substances, or chemicals are defined as drugs with a high potential for abuse, with use potentially leading to severe psychological or physical dependence. These drugs are also considered dangerous. Some examples of Schedule II drugs are: combination products with less than 15 milligrams of hydrocodone per dosage unit (Vicodin), cocaine, methamphetamine, methadone, hydromorphone (Dilaudid), meperidine (Demerol), oxycodone (OxyContin), fentanyl, Dexedrine, Adderall, and Ritalin.

Schedule III

Schedule III drugs, substances, or chemicals are defined as drugs with a moderate to low potential for physical and psychological dependence. Schedule III drugs abuse potential is less than Schedule I and Schedule II drugs but more than Schedule IV. Some examples of Schedule III drugs are: products containing less than 90 milligrams of codeine per dosage unit (Tylenol with codeine), ketamine, anabolic steroids, testosterone.

Schedule IV

Schedule IV drugs, substances, or chemicals are defined as drugs with a low potential for abuse and low risk of dependence. Some examples of Schedule IV drugs are: Xanax, Soma, Darvon, Darvocet, Valium, Ativan, Talwin, Ambien, Tramadol.

Schedule V

Schedule V drugs, substances, or chemicals are defined as drugs with lower potential for abuse than Schedule IV and consist of preparations containing limited quantities of certain narcotics. Schedule V drugs are generally used for antidiarrheal, antitussive, and analgesic purposes. Some examples of Schedule V drugs are: cough preparations with less than 200 milligrams of codeine or per 100 milliliters (Robitussin AC), Lomotil, Motofen, Lyrica, Parepectolin

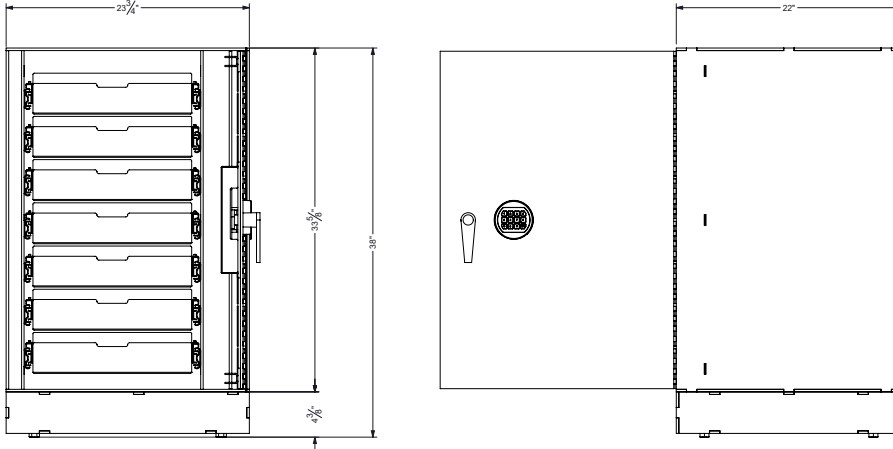
<https://www.dea.gov/drug-information/drug-scheduling>

SUBSTANTIALLY CONSTRUCTED

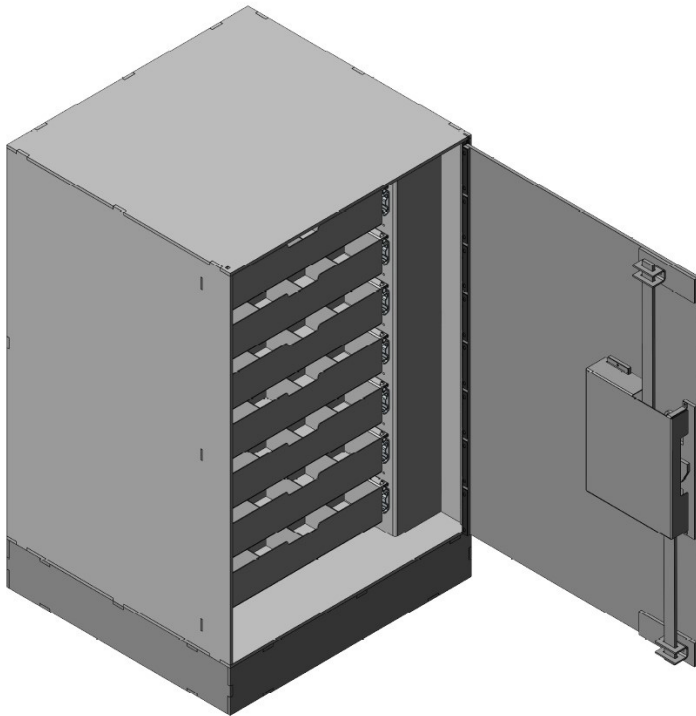
Lockable Cabinet

Schedule III, IV, & V

The Hamilton standard Pharmacy locker is designed to fit underneath any standard height pharmacy counter, allowing it to easily replace a set of drawers or an empty space in existing fixtures.



Dimensions: 33.58" x 23.75" x 22"
Right Swing
inc. 4.42" base



Fully customizable interior and exterior

INNOVATIVE DESIGN BENEFITS

- 1/4 INCH SOLID STEEL DOOR
- 1/4 INCH BODY
- PIANO HINGES FULL HEIGHT OF DOOR
- SCHEDULE 3, 4 & 5 CONTROLLED SUBSTANCES
- FLAT THREE POINT BOLTWORK

FEATURES

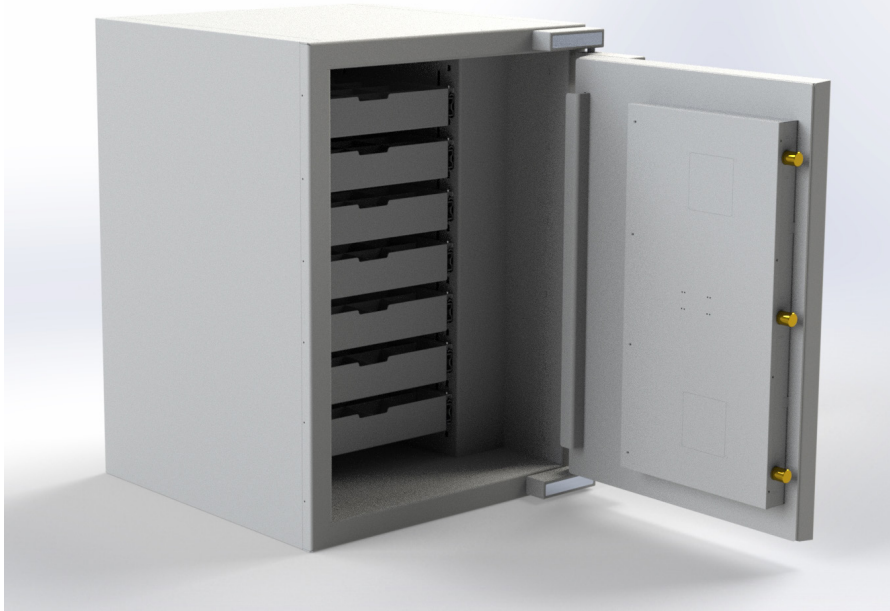
- 38" TO TOPSAFE WITH A 4" BASE BOLTED TO THE FLOOR
- FLEXIBLE INTERIOR WITH STANDARD OFFERING OF SEVEN REMOVABLE DRAWERS. ALSO AVAILABLE WITH DIVIDERS AND SHELVES
- HEAVY-DUTY TEXTURED FINISH PAINT
- STANDARD COLORS ARE WHITE, GREY, AND BLACK BUT CAN BE CUSTOMIZED FOR A COLOR MATCH
- 35-50 ELECTRONIC LOCK
- 2 MANAGER CODES AND 10 USER CODES



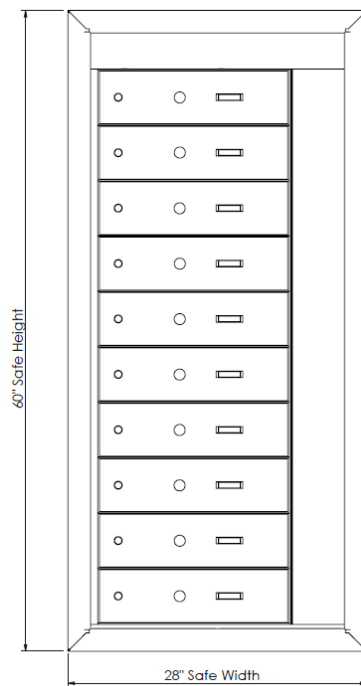
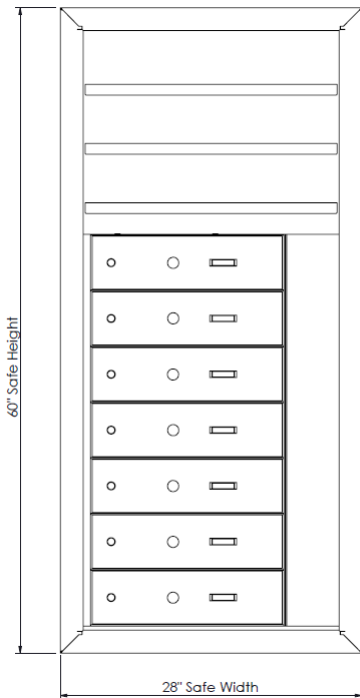
UL Listed TL-15, TL-30, TL-30X6

An alternate to plate steel, composite safes have a body & door that consist of thin steel forms filled with high-performance, high-tech aggregate.

 **TWO-HOUR FIRE RATING**



POPULAR INTERIOR OPTIONS



INNOVATIVE DESIGN BENEFITS

- SECURITY RATINGS:**
- TL-15, TL-30, TL-30X6
 - 2-HOUR FIRE RATING

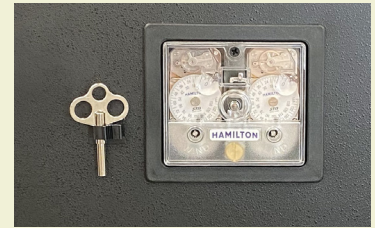


- BODY:**
- 2" COMPOSITE FOR TL-15 AND TL-30
 - 4" COMPOSITE FOR TL-30X6

- DOOR:**
- TL-15 = 2" | TL-30 = 4"

- BOLTWORK:**
- SOLID STEEL BOLTS
 - MECHANICAL RELOCKER INCLUDED TO PROVIDE A SECONDARY DEFENSE

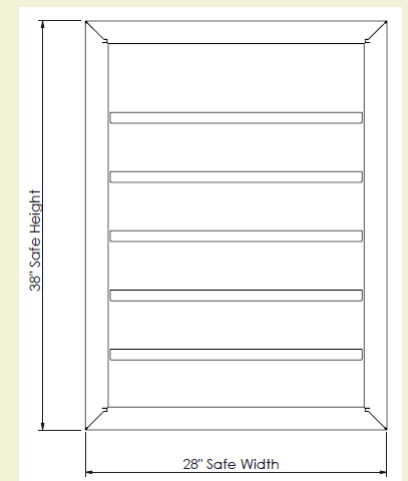
Additional options also available.



Time Lock



Heat Sensor

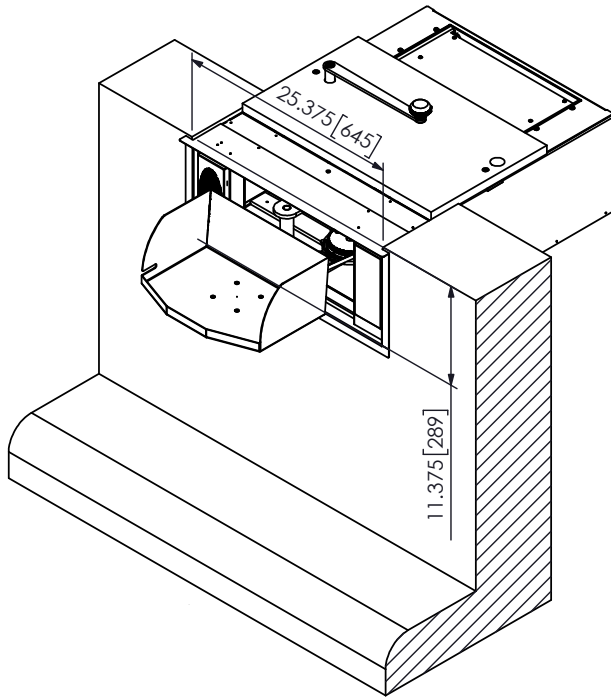


Manual Drawer

The **Bond Hill Manual Drawer** is designed to pass small items between the customer and your team member. Built with rugged, high-performance stainless steel exterior for maximum security. Perfect for prescription containers and other small items.



Model
#SLCD-MAN



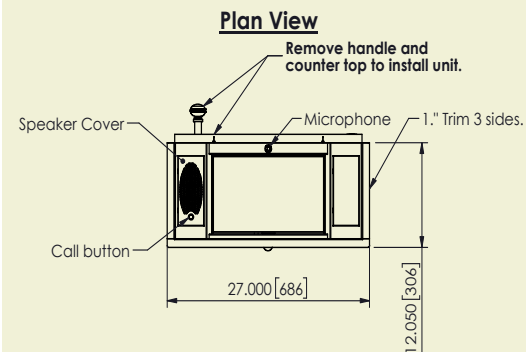
Masonry
Opening

OPTIONAL

- Heater, Vehicle Detection, Plug & Play Audio, and Video

FEATURES

- RELIABLE: CYCLED OVER ONE MILLION TIMES
- SECURE: LOCKABLE FOR AFTER HOURS
- BALLISTIC RATING: SUBMITTED TO UL FOR LEVEL 3
- DRAWER SIZE: 15" W X 6"H X 7" D
- REACH: DRAWER EXTENSION ADJUSTABLE 7" TO 13 1/2"
- FINISH: STAINLESS STEEL AND BLACK LEATHERETTE
- LOW MAINTENANCE: SIMPLE MANUAL OPERATION
- ERGONOMIC: EASY AND COMFORTABLE TO OPERATE
- ENVIRONMENTAL: INNER DOOR SEALS AS OUTER DOOR OPENS



Motorized Drawer

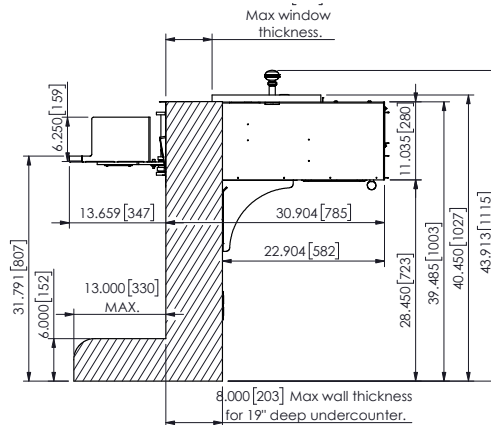
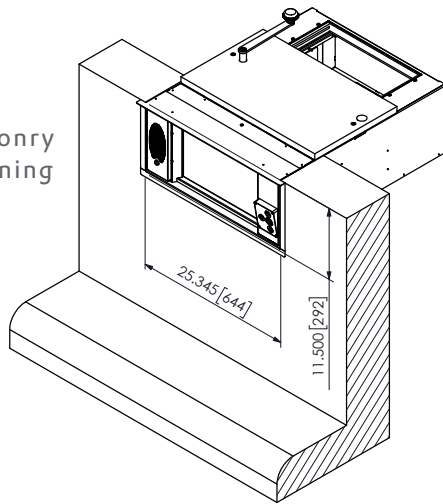
The **College Hill Motorized Drawer** is an improved design that utilizes more common parts found within standard and commercial-size drawers.

Each drawer features a plug-and-play audio system and optional heater, eliminating the need for on-site wiring after installation. The new design offers a smaller footprint, making it an ideal replacement option without requiring modifications to existing masonry openings.

The drawer is perfect for passing small items between the customer and your team member. It is ideal for prescription containers and other small items, built with a rugged, high-performance stainless steel exterior for maximum security.



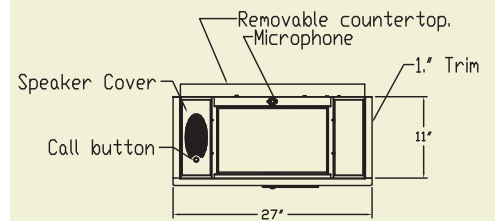
Masonry Opening



FEATURES

- CYCLED TESTED OVER ONE MILLION TIMES
- SMALLER FOOTPRINT BUT BIGGER PAYLOAD
15 3/8" W X 6 1/2" H X 8 1/8" D
- FACTORY-INSTALLED HANDSET OPTION
- FACTORY-INSTALLED VEHICLE DETECTION OPTION
- UL LISTED / LEVEL 3 BULLET RESISTANT
- SUSPENSION FREE DESIGN - NO RAILS
- ADJUSTABLE DRAWER EXTENSION FOR CAR DISTANCE

Plan View

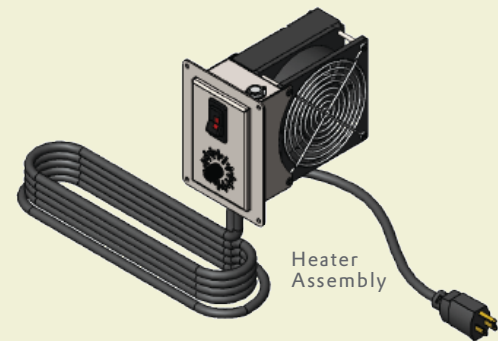


Includes:

Plug & Play Audio

Optional:

Plug & Play Heater, Vehicle Detection, Handset



Manufacturers and providers of the latest in drive-up systems, modular vaults, vault doors, night depositories, physical security containers, alarm systems, safe deposit boxes and surveillance equipment.

5063 Champions Way Milford, OH 45150
Phone: 513.874.3733

hamiltonbygunnebo.com