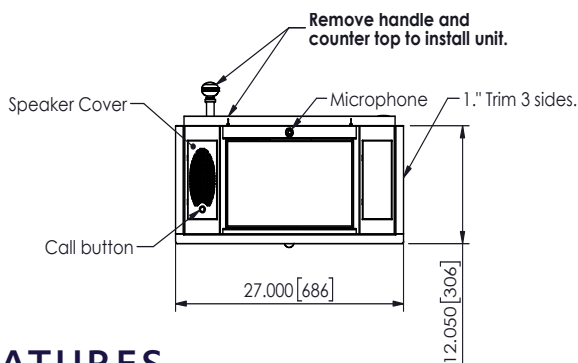


BOND HILL SLCD - MOT MANUAL DRAWER



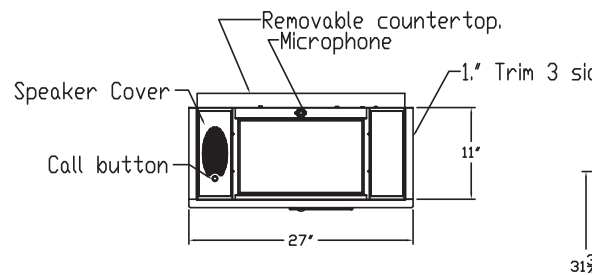
FEATURES

- RELIABLE: CYCLED OVER ONE MILLION TIMES
- SECURE: LOCKABLE FOR AFTER HOURS
- BALLISTIC RATING: SUBMITTED TO UL FOR LEVEL 3
- DRAWER SIZE: 15" W X 6" H X 7" D
- REACH: DRAWER EXTENSION ADJUSTABLE 7" TO 13 1/2"
- FINISH: STAINLESS STEEL AND BLACK LEATHERETTE
- LOW MAINTENANCE: SIMPLE MANUAL OPERATION
- ERGONOMIC: EASY AND COMFORTABLE TO OPERATE
- ENVIRONMENTAL: INNER DOOR SEALS AS OUTER DOOR OPENS

OPTIONAL:

- Heater, Vehicle Detection,
- Plug & Play Audio, and Video

COLLEGE HILL MOTORIZED DRAWER



FEATURES

- CYCLED TESTED OVER ONE MILLION TIMES
- SMALLER FOOTPRINT BUT BIGGER PAYLOAD 15 3/8" W X 6 1/2" H X 8 1/8" D
- FACTORY-INSTALLED HANDSET OPTION
- FACTORY-INSTALLED VEHICLE DETECTION OPTION
- UL LISTED / LEVEL 3 BULLET RESISTANT
- SUSPENSION FREE DESIGN - NO RAILS
- ADJUSTABLE DRAWER EXTENSION FOR CAR DISTANCE

INCLUDE:

- Plug & Play Audio

OPTIONAL:

- Plug & Play Heater, Vehicle Detection, Handset