

EN 15659, 30 P  
EN 14450, Class S2



# FIRE

FIRE & BURGLARY PROTECTION FOR YOUR VALUABLES

## At a glance

- Combined fire and burglary protection in one safe
- Perfect for the protection of cash and valuables as well as passports, property records, legal papers and other important documents
- Certified by ECB•S for 30 minutes fire-resistance (EN 15659, 30 P)
- Certified by ECB•S for Level S2 burglary protection (EN 14450)
- Choice of key lock or electronic lock
- Four sizes available – 13, 18, 26 and 31 litres

## Chubbsafes Elements

coolearth

Fire is part of the Chubbsafes Elements family of safes for the home and office. To tie in with the Fire range, Chubbsafes will make an annual donation to Cool Earth to help protect the world's endangered rainforests from destruction.

[www.chubbsafeselements.com](http://www.chubbsafeselements.com)

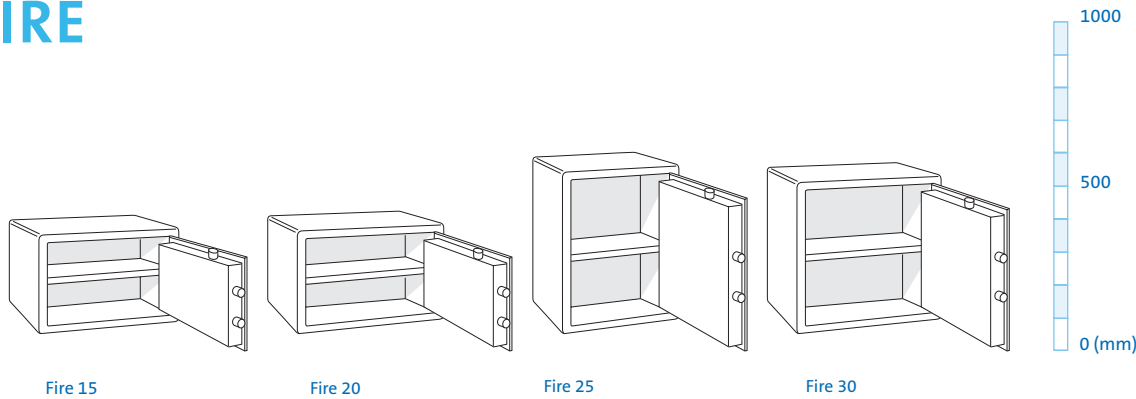


**Chubbsafes**  
*Trusted the world over.*

[www.chubbsafes.com](http://www.chubbsafes.com)



# FIRE



Fire 15

Fire 20

Fire 25

Fire 30

Model	External (mm)			Internal (mm)			Volume (litres)	Weight (kg)	Lock Alternatives		Shelf
	Height	Width	Depth	Height	Width	Depth			Key	Electronic	
									✓	✓	
Fire 15	300	427	385	170	316	235	13	49	✓	✓	1
Fire 20	315	445	440	185	334	290	18	52	✓	✓	1
Fire 25	490	360	440	360	249	290	26	62	✓	✓	1
Fire 30	460	440	440	330	329	290	31	68	✓	✓	1

## Certification

### 30 P Fire Protection

The whole range has been certified by ECB•S in accordance with the EN 15659 standard for thirty minutes' fire protection of documents.



### S2 Burglary Protection

The range has been certified in accordance with the EN 14450 standard for burglary protection to Level S2.

## Locks

Each model can be fitted with a key lock or an electronic lock. The key lock is certified by ECB•S according to EN 1300 Class A and the electronic lock is certified Class B.

### Key Lock

Operate by turning the key and pulling the door open.

### Electronic Lock

Enter your PIN code using the key pad and simply turn the handle to open the door. The door locks automatically again when shut and the handle is turned back to its original position. The lock can be programmed with your own six-digit PIN code.

Authorised dealer:

## Interior Fittings

### Shelf

One removable shelf standard with all models. More can be added.

## Construction

### Boltwork

The door is secured by three-way operating, 25mm-diameter bolts. The boltwork is further protected by manganese steel anti-drilling plates and a re-locking device.

### Door & Body

The safe wall has an overall thickness of 56mm with a 92mm-thick door.